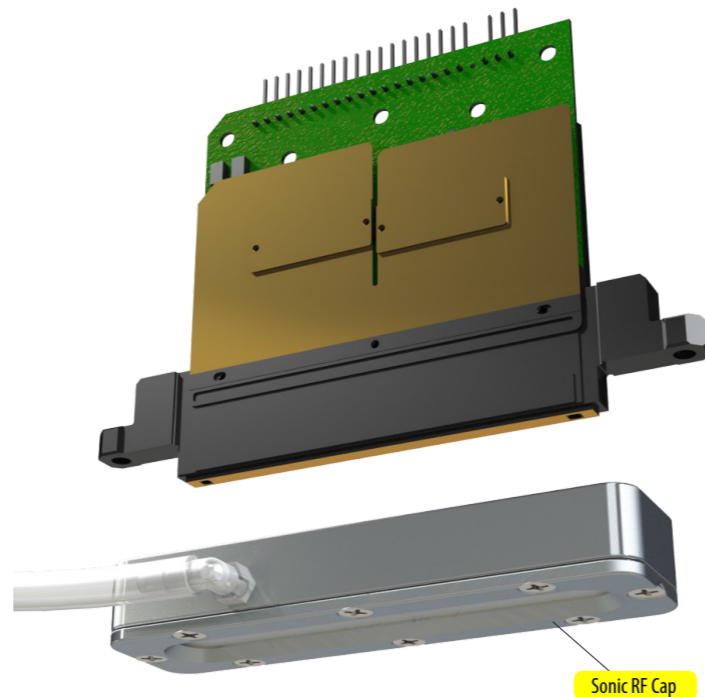
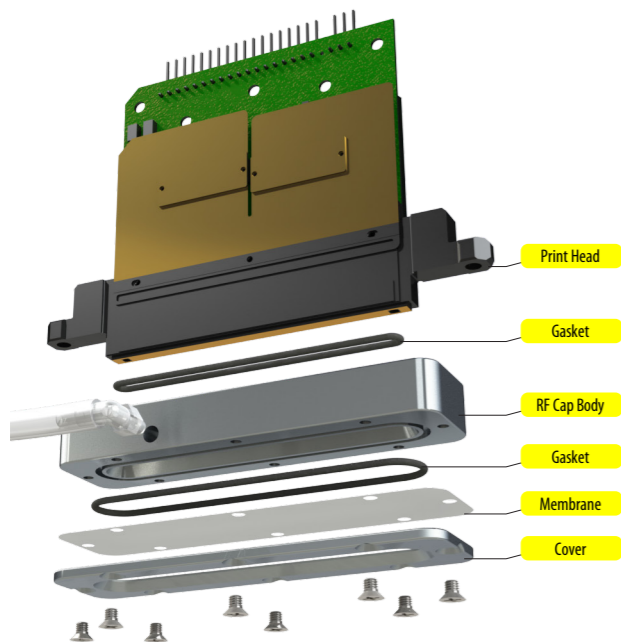


# Sonic Reverse Flushing Caps



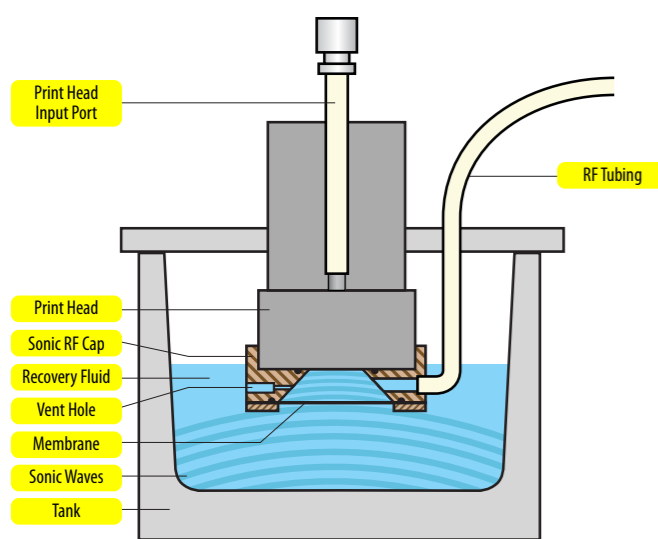
Sonic Reverse Flushing caps enable a completely new method of print head recovery. The old method of forward flushing print heads, where the pressurized fluid is fed to the input ports of a print head, can damage print heads due to their low tolerance to internal pressure. RF caps allow doing both forward and reverse flushing without pressurizing print heads at all, making the process safe and efficient for all makes of print heads. This is especially important for Epson heads, which cannot stand any forward pressure.

Advantages of using Reverse Flushing Caps:

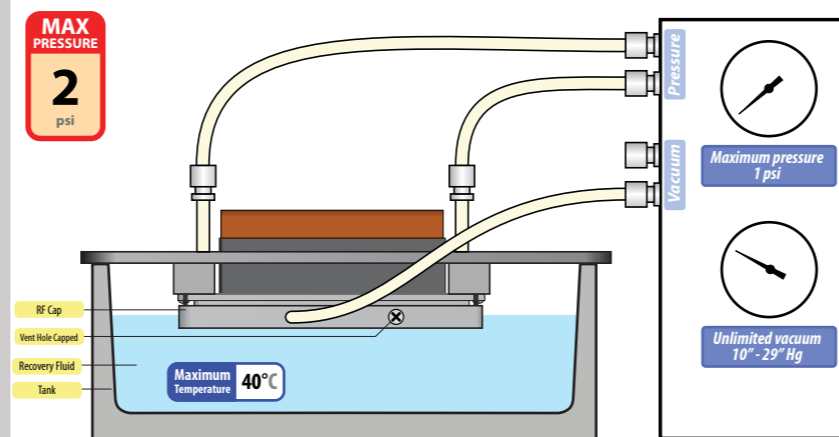
- ◆ Safe for print heads.
- ◆ More effective than conventional forward flushing.
- ◆ The membrane design allows penetration of sonic waves to the nozzles.
- ◆ The shape of RF Cap body amplifies the strength of the ultrasound.
- ◆ Can be used with all models of Print Head Doctor.

[www.PrintHeadDoctor.com](http://www.PrintHeadDoctor.com)

Reverse Flushing Cap Section View



Vacuum-Assisted Forward Flushing Using a Sonic RF Cap



Reverse Flushing Using a Sonic RF Cap

